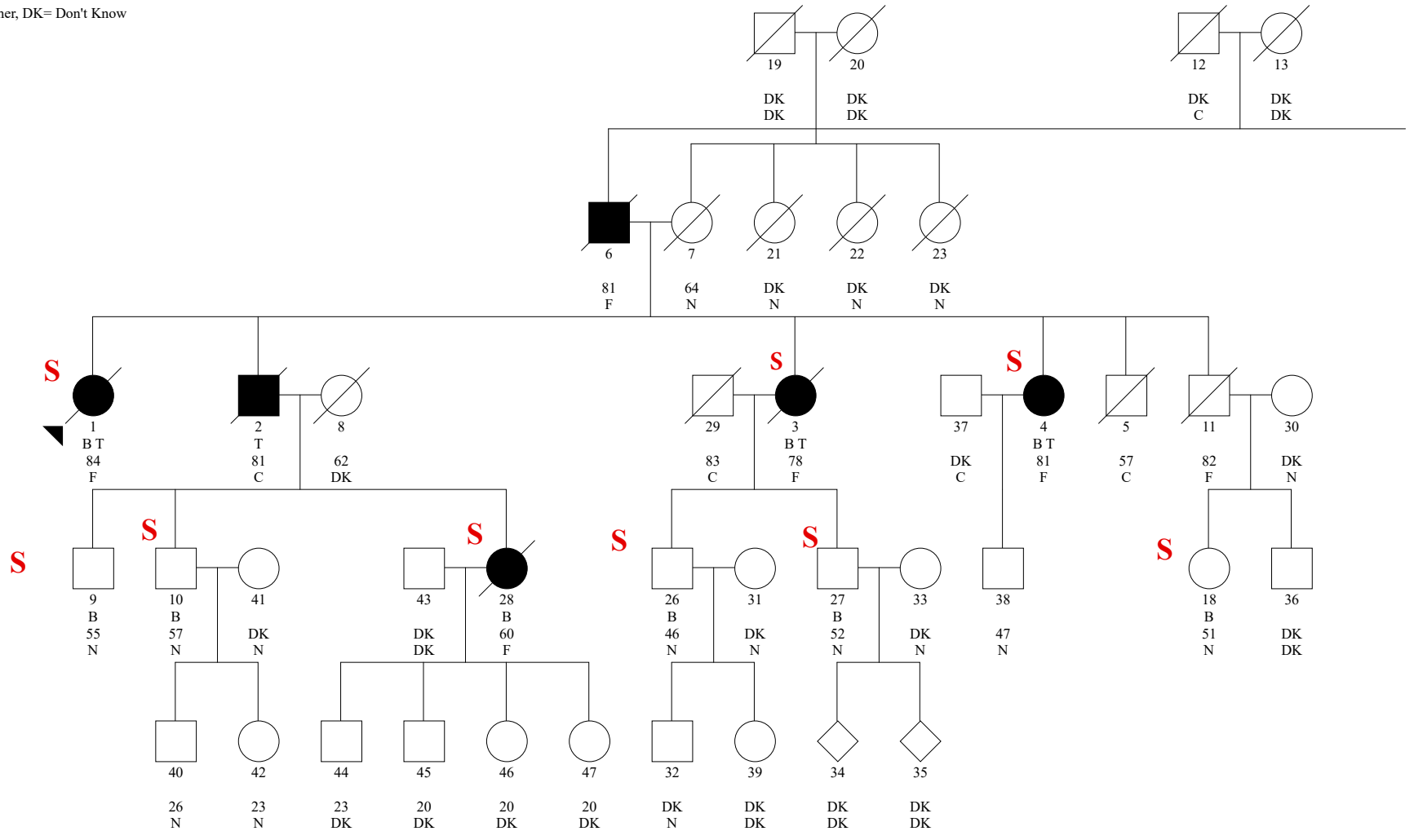


LEGEND - Text Under Each Individual
CIND
Specimen 1, Specimen 2 B=Blood, T=Tissue
Est Age/Age at Death
Current Smoker? C=Current, F=Former, DK= Don't Know



S: sequenced

